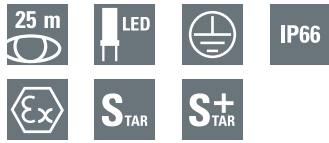


EXIT LED V-CG-S

Safety and Exit Sign Luminaires - Explosion protected



EXIT LED V-CG-S/EXIT LED 2 V-CG-S

- Explosion protected safety luminaire with white high power LEDs
- Minimum maintenance effort with high LED service life via optimised power output control of LED regulation
- Shortened inspection effort due to CEWA GUARD technology
- Automatic function monitoring of up to 20 luminaires per circuit
- Reduced installation expenditure with STAR technology
- Freely programmable mixed operation of the switching modes per luminaire in one circuit

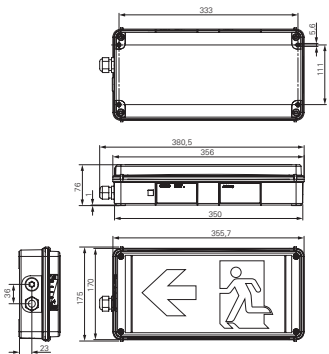
EXIT LED V-CG-S



EXIT LED V-CG-S without pictogram



Dimensions in mm



Viewing distance	25 m (gem. DIN EN 1838)
Marking acc. to 2014/34/EU	
EC-type examination certificate	BVS 09 ATEX E029
IECEX-inspection certificate	IECEX BVS 13.2017
Marking acc. to IECEx	Ex e ib mb IIC T6/T5 Gb Ex tb IIC T80 °C Db
Housing material	Polycarbonate (850 °C glow wire resistant)
Housing colour	Grey, RAL 7035
Protective cover	Polycarbonate
Rated voltage EXIT CG-S admissible tolerances acc. to EN 60079-0	AC: 220 – 254 V, 50/60 Hz DC: 195 – 250 V
Current consumption - battery operation (220 V)	25 mA
Rated power	approx. 6 VA
Permissible temperature range	- 20 °C to + 40/50 °C (T6/T5)
Cable infeeds	1 x Ex e-cable entry M20 x 1.5 1 x Ex e-blanking plug M20 x 1.5
Connection terminals	3 x Loop terminals 2.5 mm ²
Type of mounting	Wall mounting
w source	High-power LEDs, white

Ordering details

Type	Scope of supply		Order No.
EXIT LED V-CG-S	including cover with silkscreened pictogram PR		12191020021
	including cover with silkscreened pictogram PL		12191020022
	including cover with silkscreened pictogram PU		12191020023
	including cover, clear, without pictogram		12191020004
EXIT LED 2 V-CG-S	including cover with silk-screen pictogram PR		12193020021
	for Zone 2 including cover with silk-screen pictogram PL		12193020022
	for Zone 2 including cover with silk-screen pictogram PU		12193020023
	including cover, clear, without pictogram		12193020004

Other pictograms on request